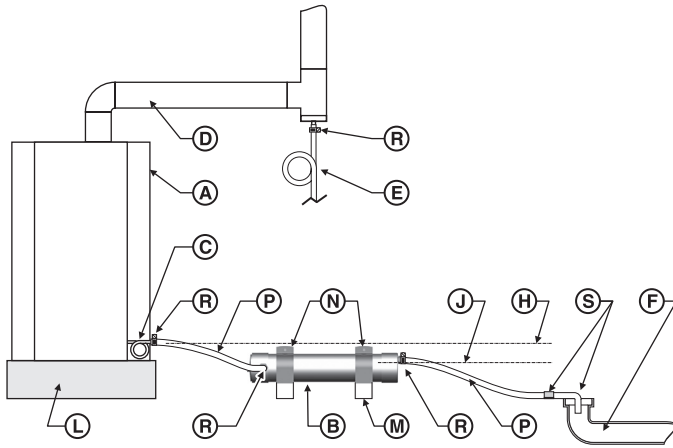


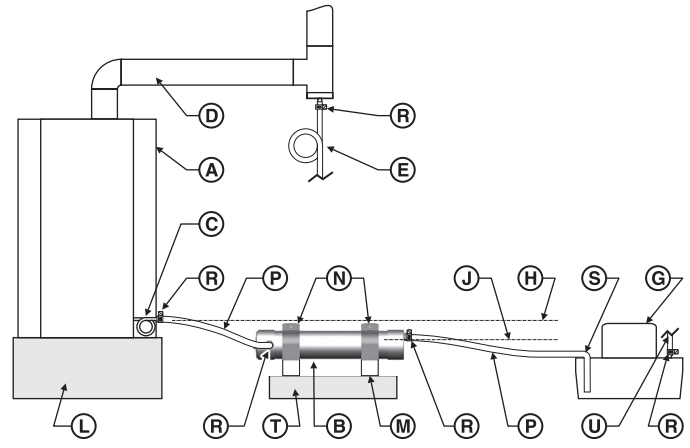
**Figure 2** JM tube application with floor drain, typical



## Legend

- A** Condensing boiler or furnace
- B** JM condensate neutralizing tube
- C** Boiler/furnace condensate trap connection
- D** Boiler/furnace vent
- E** Vent condensate trap, when used — Install a trap as shown. Connect the tubing to a separate JM tube. DO NOT combine with the boiler/furnace condensate line.
- F** Floor drain or sump
- G** Condensate pump
- H** Bottom of boiler/furnace condensate outlet — MUST be ABOVE bottom of JM tube condensate outlet
- J** Bottom of JM tube condensate outlet
- L** Mounting pad or structural platform, when required to elevate boiler condensate drain as needed
- M** Unistrut bases — bolt to floor, wall or mounting pad
- N** Unistrut clamps — secure tube in position and clamp securely — NOTE that the condensate outlet must be oriented UP, with the condensate inlet into the side.
- P** Plastic tubing or PVC pipe — When using PVC pipe, remove the JM inlet and outlet hose barb fittings and replace with threaded PVC fittings. Include unions in the piping to allow removal of the JM tube for inspection and service. — Secure pipe or tubing in place. — Protect with a shield if necessary if routed through traffic areas.

**Figure 3** JM tube application with condensate pump, typical



- R** Use hose clamps at all connections when using plastic tubing.
- S** Condensate drain termination at floor drain or condensate pump reservoir inlet — secure in place with clamps. — Follow instructions for condensate pump.
- T** Elevate the JM tube on a structural base if necessary for the outlet to be raised.
- U** Route discharge line from condensate pump assembly per instructions supplied by pump manufacturer.

## Installation sequence

1. Securely fasten the two unistrut bases (item M) to floor or wall.
2. Mount tubes across bases and secure with the two unistrut claps (item N).
3. Connect plastic tubes or PVC piping from appliance or breeching drains to P-traps and then from P-trap outlet to either one of the two JM tube inlets.
4. Connect the JM tube outlet to house drain or condensate pump.
5. Use Teflon tape on all threaded plastic fittings.
6. NOTE — Always contact the local authority in regards to any requirements concerning flue gas condensate handling codes.