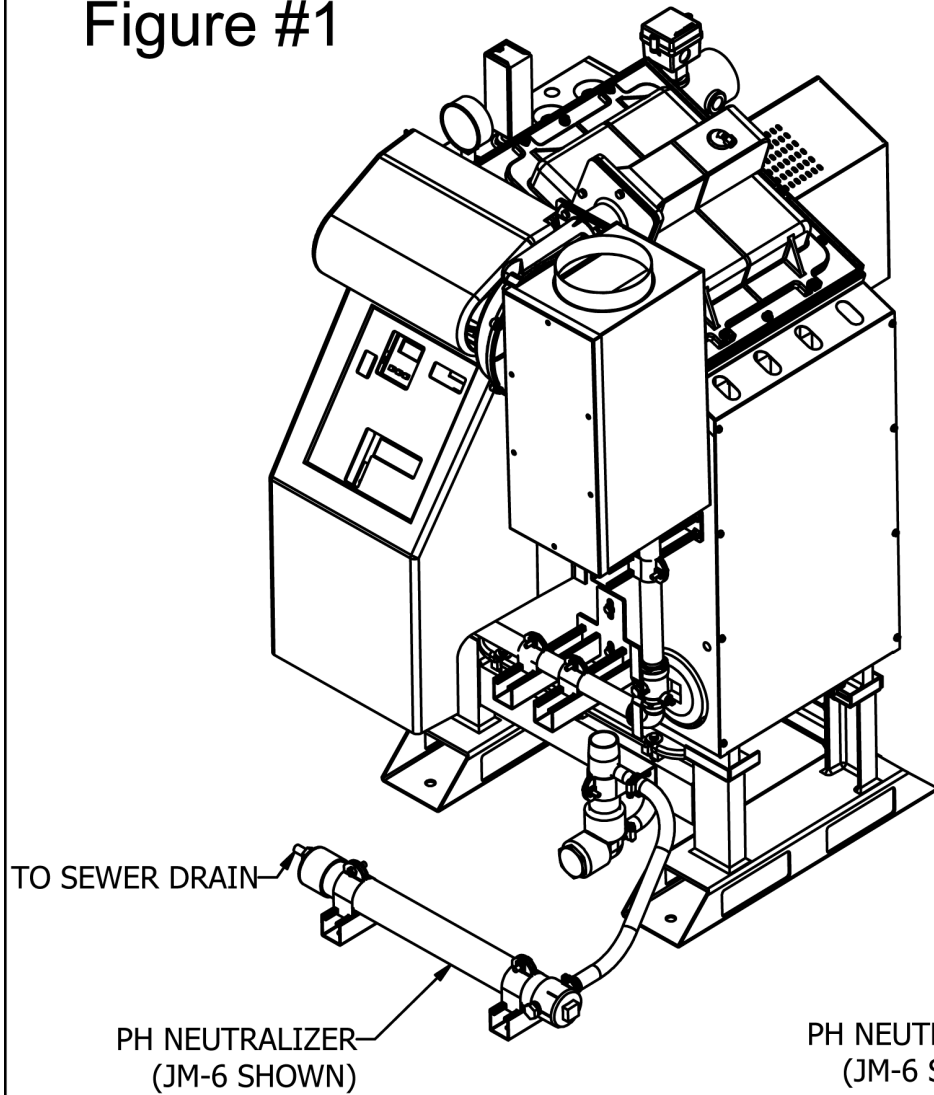
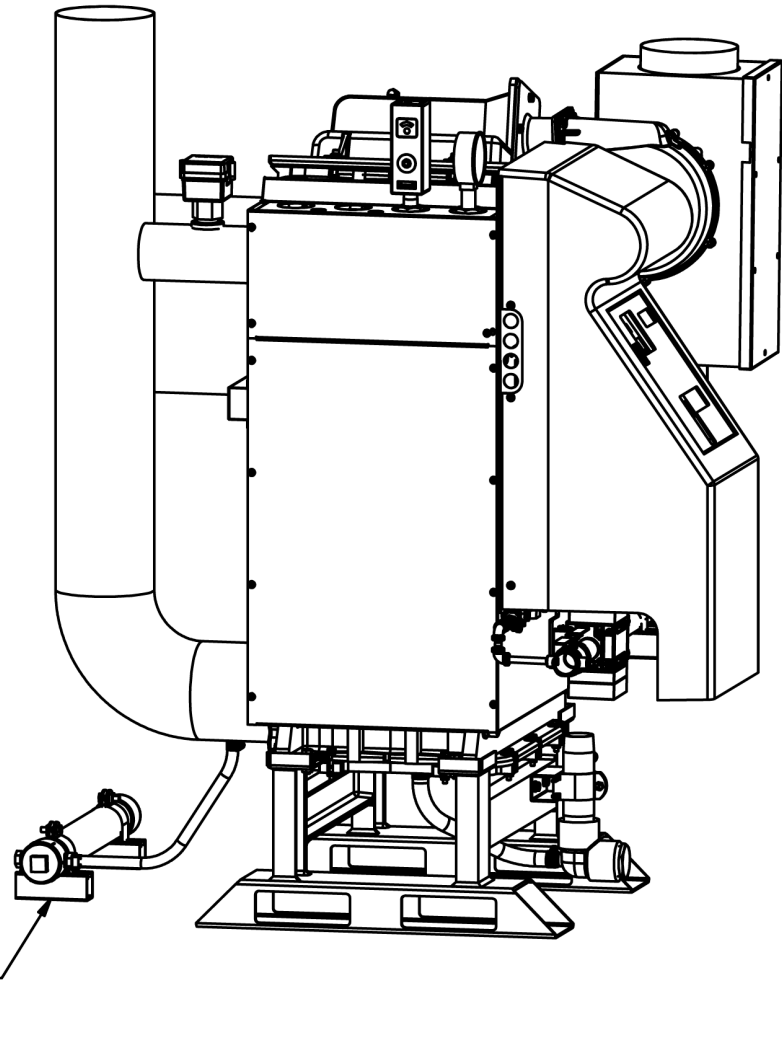


Figure #1



FROM BOILER MFG SUPPLIED TRAP



FROM BREACHING

NOTE:
THESE ARE SUGGESTED PIPING CONFIGURATION'S , ACTUAL LAYOUT WILL BE
DETERMINED BY BOILER MODEL & INSTALLATION CONSTRAINTS.

PH NEUTRALIZER PIPING CONFIG		<small>REVISION #:</small>
<small>DRAWN BY:</small>	<small>PART No.</small>	
<small>DATE DRAWN:</small> 7/4/2006	JM-SERIES	